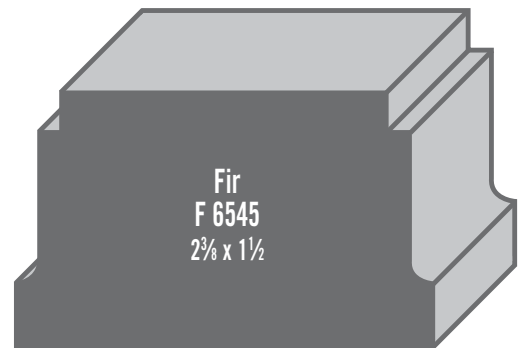
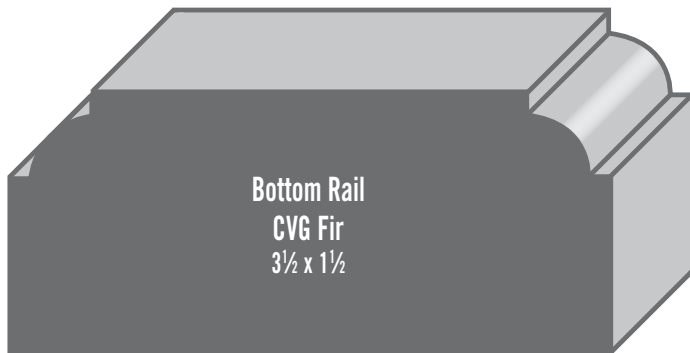
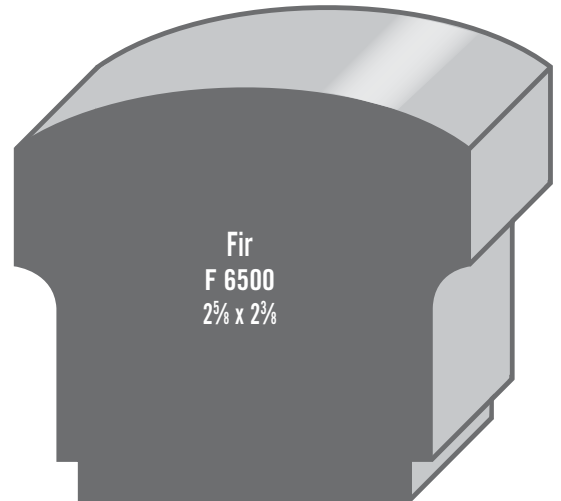
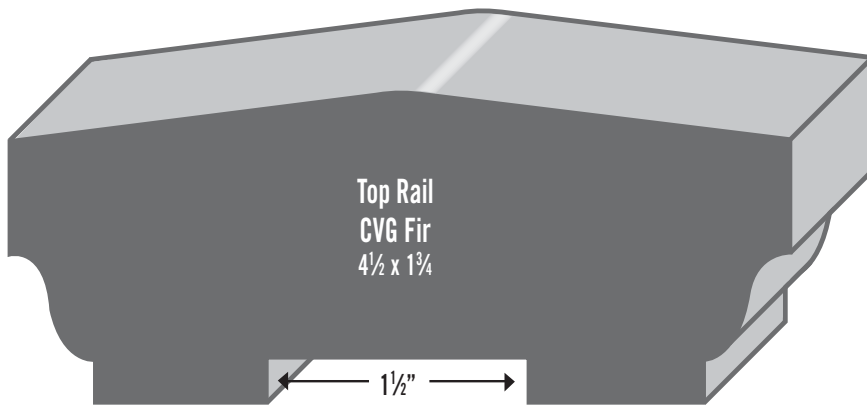




VINTAGE PORCH RAIL

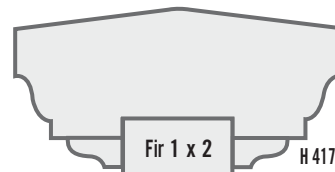
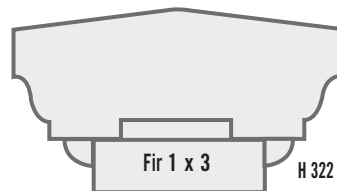
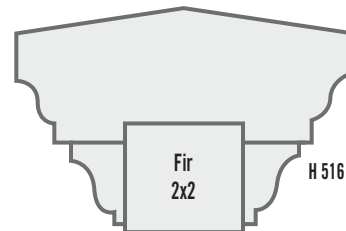
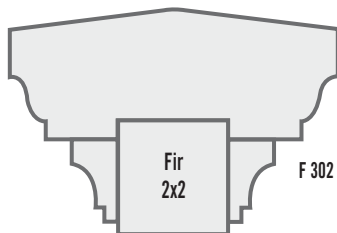
Based on a classic rail design from the early 20th century, our porch system is appropriately scaled and detailed for your home's exterior. Use the rail along with 1½" balusters, or combine the versatile top rail with various panel moulds and fir

lumber sizes to create rail profiles from 1¾" to 3" in height, and from plain to ornate in detail. Chose from three baluster shapes (at right) and complete your porch with our large cedar newel and fir post cap.

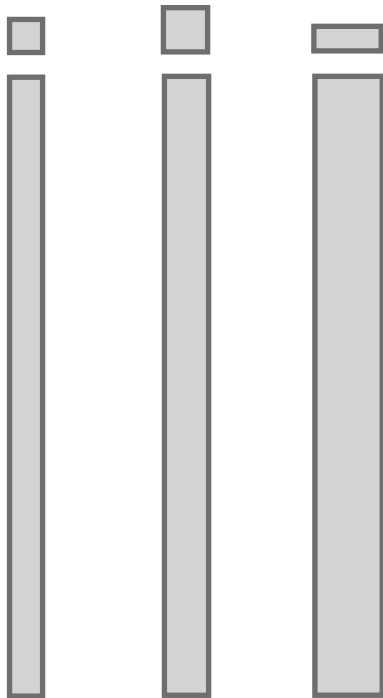


SUGGESTED RAIL CONFIGURATIONS

(not to scale)



## FIR BALUSTERS

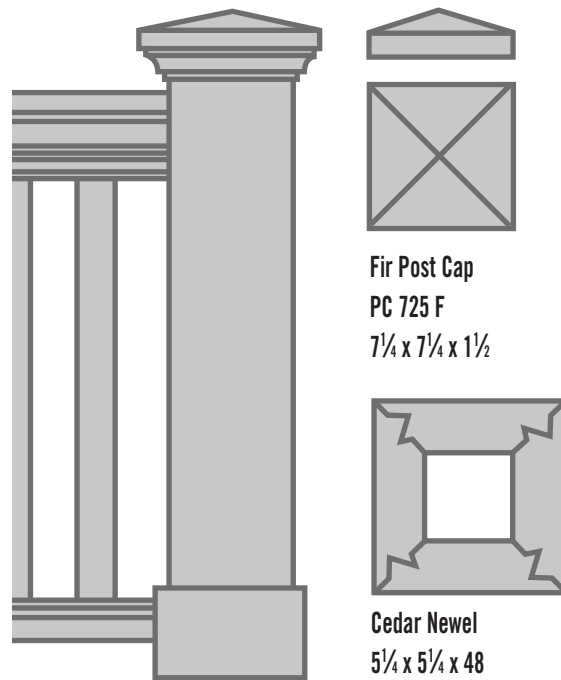


**F 5060**  
1¼ x 36, 42

**F 5560**  
1½ x 36, 42

**F 5260**  
¾ x 2 x 36, 42

## NEWEL POST & CAP



**Fir Post Cap**  
**PC 725 F**  
7¼ x 7¼ x 1½

**Cedar Newel**  
5¼ x 5¼ x 48



**Fir Stair Tread** 1 x 11¼ Random Lengths  
**PG Fir Stair Tread** 1 x 11½ 3', 4', 6', 8'



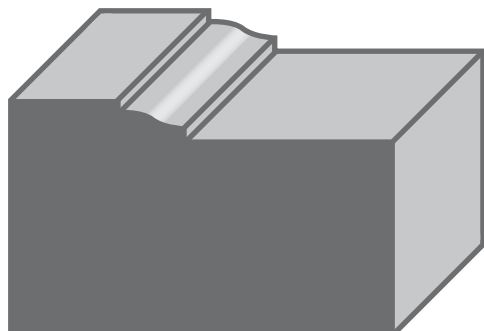
**Fir Porch Flooring** LF 1x4 T&G 1½ x 3¼



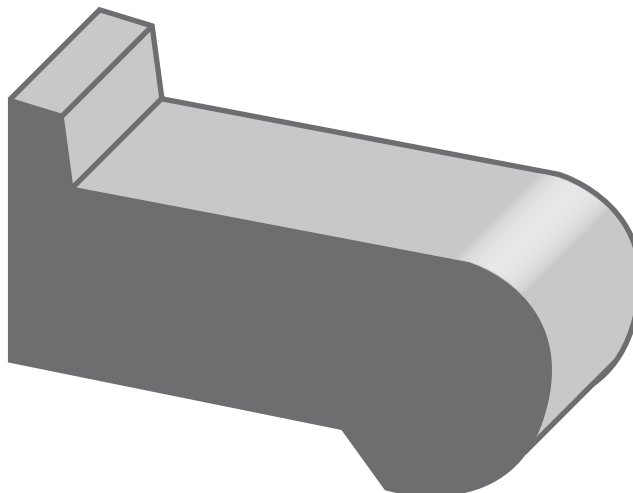
**Beaded Ceiling** F 777 ¾ x 3¼ 3', 4', 5', 6'



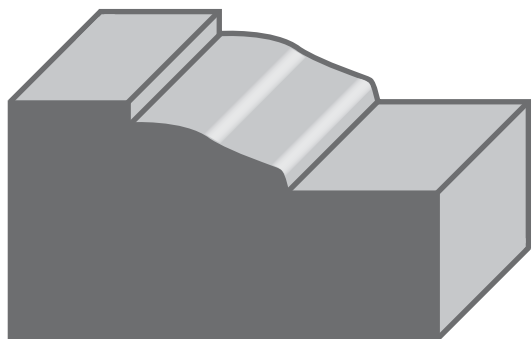
CD = CLEAR CEDAR CDFJ = FINGER-JOINTED CEDAR F = FIR FJP = FINGER-JOINTED PRIMED H = HEMLOCK



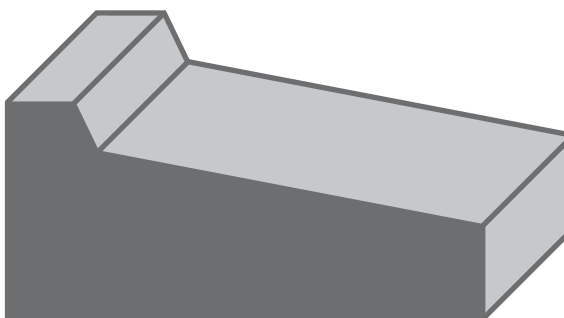
FJP 441 CD 441  $1\frac{3}{16} \times 1\frac{15}{16}$  Brick Mould



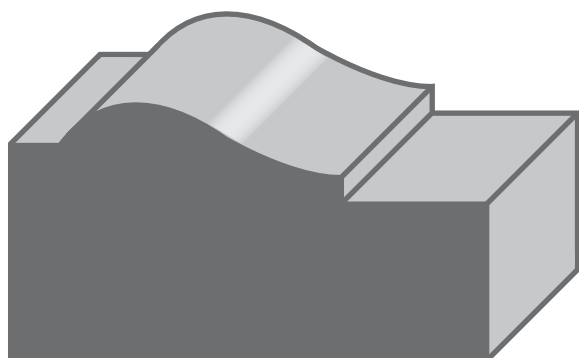
F 990  $1\frac{3}{8} \times 3\frac{1}{4}$  Drip Cap



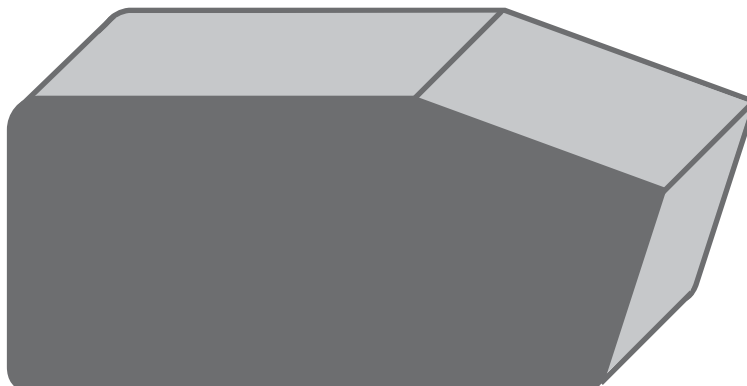
H 442 CD 442  $1\frac{1}{4} \times 2\frac{1}{4}$  Shake Mould



F 890  $1\frac{1}{8} \times 2\frac{1}{2}$  Drip Cap



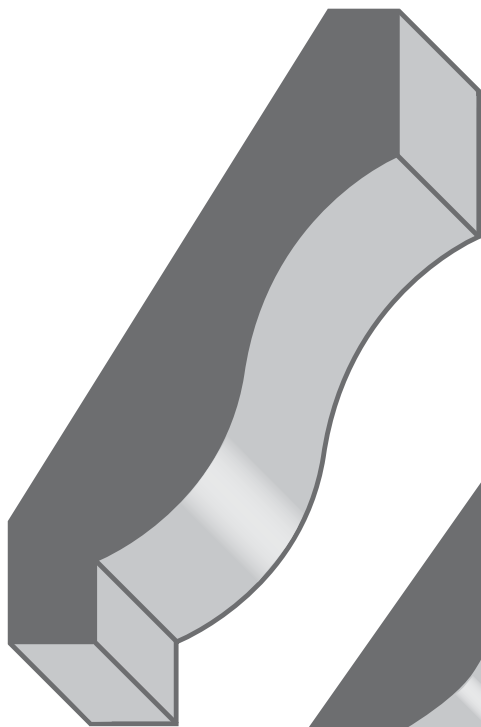
F 445  $1\frac{1}{3} \times 2\frac{1}{2}$  Shake Mould



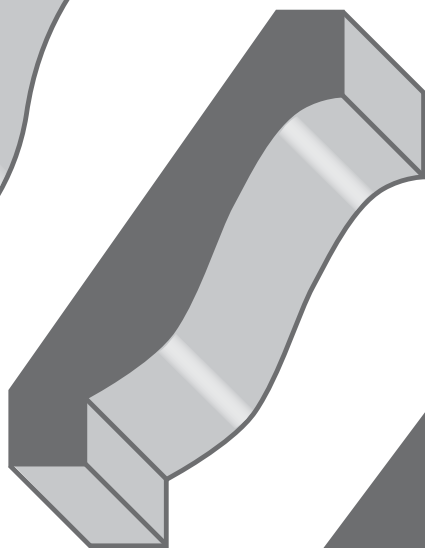
CDFJ 875  $1\frac{1}{2} \times 3\frac{7}{16}$  Sill



CD = CLEAR CEDAR F = FIR



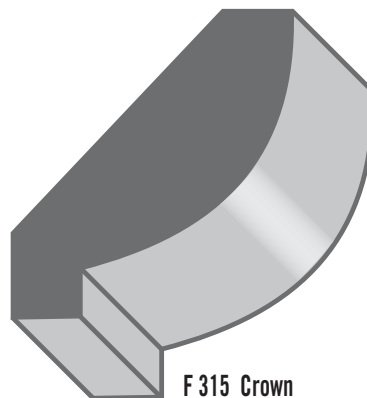
**F 513 Crown**  
 $\frac{3}{4} \times 4\frac{1}{4}$   
 $P = 2\frac{3}{16}$



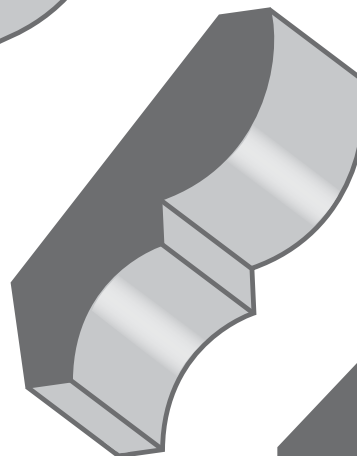
**F 512**  
 $\frac{9}{16} \times 3\frac{3}{4}$   
 $P = 2$



**F 543 Bed Mould**  
 $1\frac{1}{16} \times 3\frac{3}{4}$   
 $P = 2\frac{1}{8}$



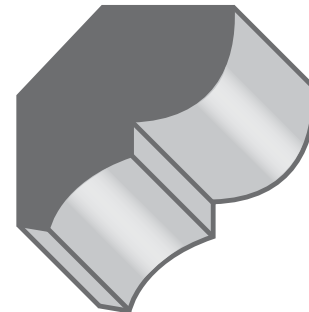
**F 315 Crown**  
 $\frac{3}{4} \times 2\frac{5}{8}$   
 $P = 1\frac{5}{8}$



**CD 311 Bed Mould**  
 $\frac{5}{8} \times 2\frac{5}{8}$   
 $P = 1\frac{3}{8}$



**F 475**  
 $1\frac{1}{4} \times 1\frac{5}{8}$



**F 314**  
 $\frac{3}{4} \times 1\frac{3}{4}$   
 $P = 1\frac{1}{4}$

